



08641E00

The contact blocks Series 8208 are specially designed for the switching of very low signalling currents. All elements are equipped with two contacts and resistors for the open-circuit and short-circuit detection. Via an actuator Series 8602 one control button can be actuated.

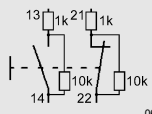
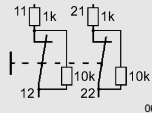
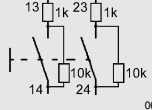
STAHL

Contact Block Series 8208

- Explosion protection to
 - CENELEC
 - IEC
- For use in Zone 1 and Zone 2
- Available contact blocks
 - 1 NO and 1 NC
 - 2 NC
 - 2 NO
- All NC contacts spring loaded with positive drive
- All versions with gold-contacts
- All versions with internal resistors for open-circuit and short-circuit detection
- Can be used for safety instrumented functions up to SIL 2 and SIL 3 to IEC/EN 61508
- Actuators in 8 different forms
 - pushbutton
 - mushroom button
 - selector switch
 - rotary actuator
 - key-operator switch
 - key-operator button
 - mushroom stay-put button with key lock
 - mushroom stay-put button

Zones 1 & 2

Selection table

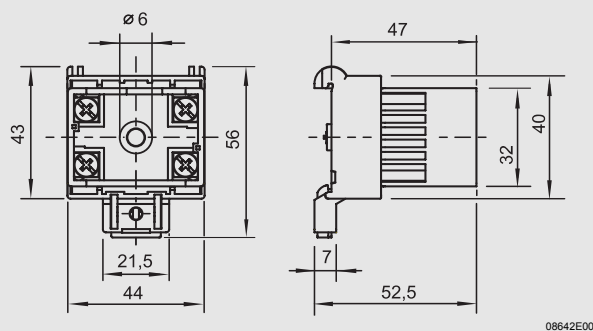
Version	Description	Schematic	Ordering code	Weight kg
Contact block Series 8208	with open-circuit and short-circuit detection	1 NO / 1 NC, spring loaded with positive drive 	8208/24-15-0001	0,100
		2 NC, spring loaded with positive drive 	8208/24-15-0002	0,100
		2 NO 	8208/24-15-0003	0,100

Note Actuators see contact blocks Series 8082

Technical Data

Explosion protection	⊕ II 2 G EEx de IIC T6
Certificates	PTB 01 ATEX 1066 U
Other certificates	IECEX
Contact block	
Rated working current I_e	switching of low power signals: 2 mA DC ... 20 mA DC
Rated operational voltage U_e	switching of low power signals: 8 V DC ... 30 V DC
Contact resistance	typical 10 mΩ
Contact material	Gold
Resistors	
Rating	max. 0,5 W
Ambient temperature	- 20 °C ... + 40 °C
Enclosure material	Polyamide
Flexible lead	2 x 2,5 mm ² flexible lead (screw terminals)

Dimension drawings (all dimensions in mm) - subject to alterations



8208/24-15 Contact block

We reserve the right to make alterations to the technical data, weights, dimensions, designs and products available without notice. The illustrations cannot be considered binding.

